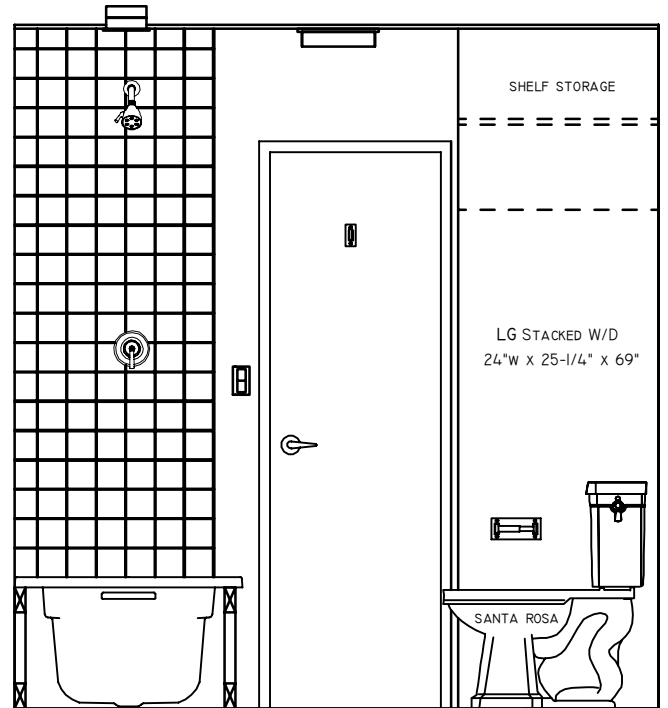
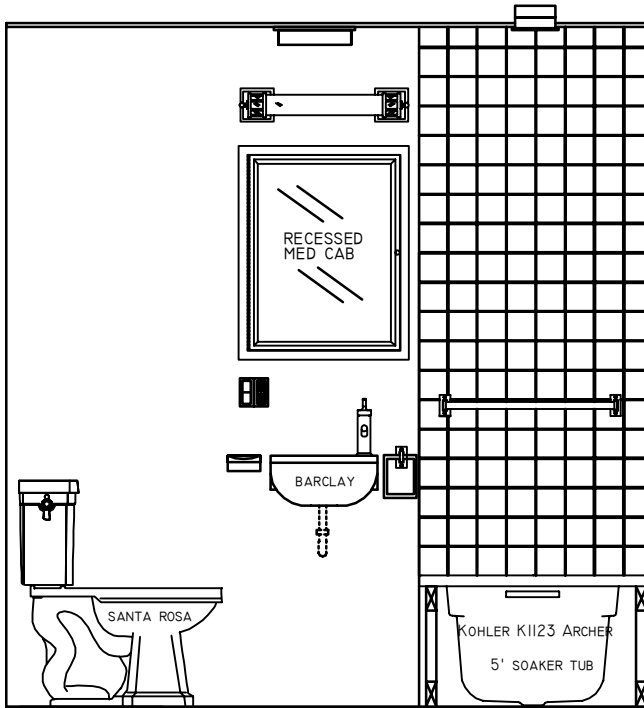
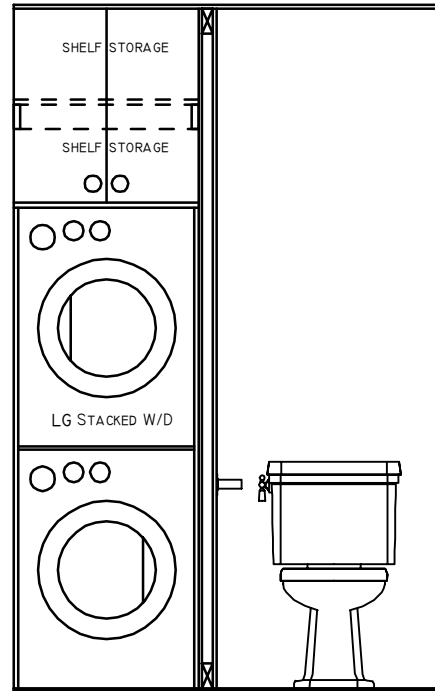
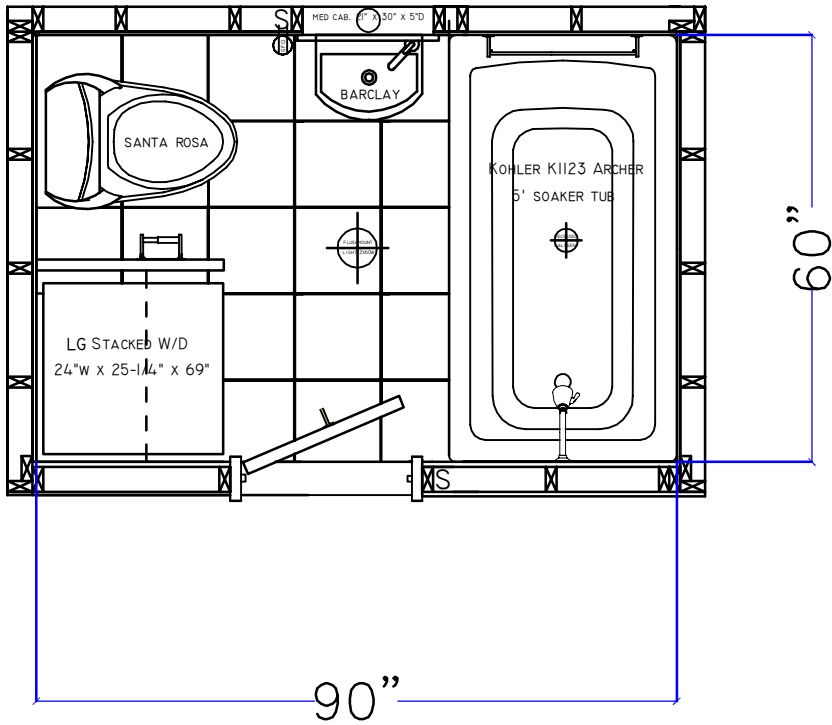


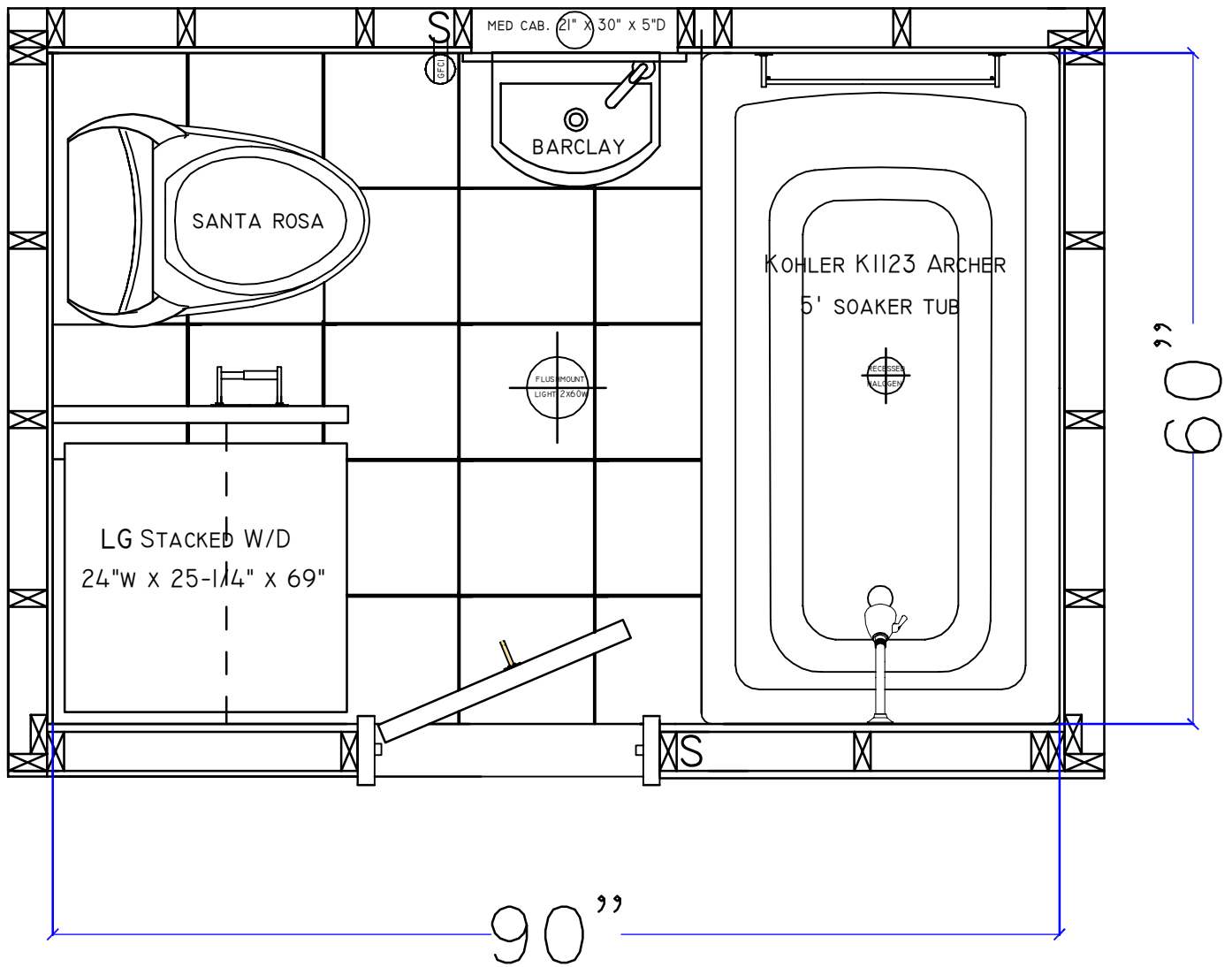
BATHROOM PLAN

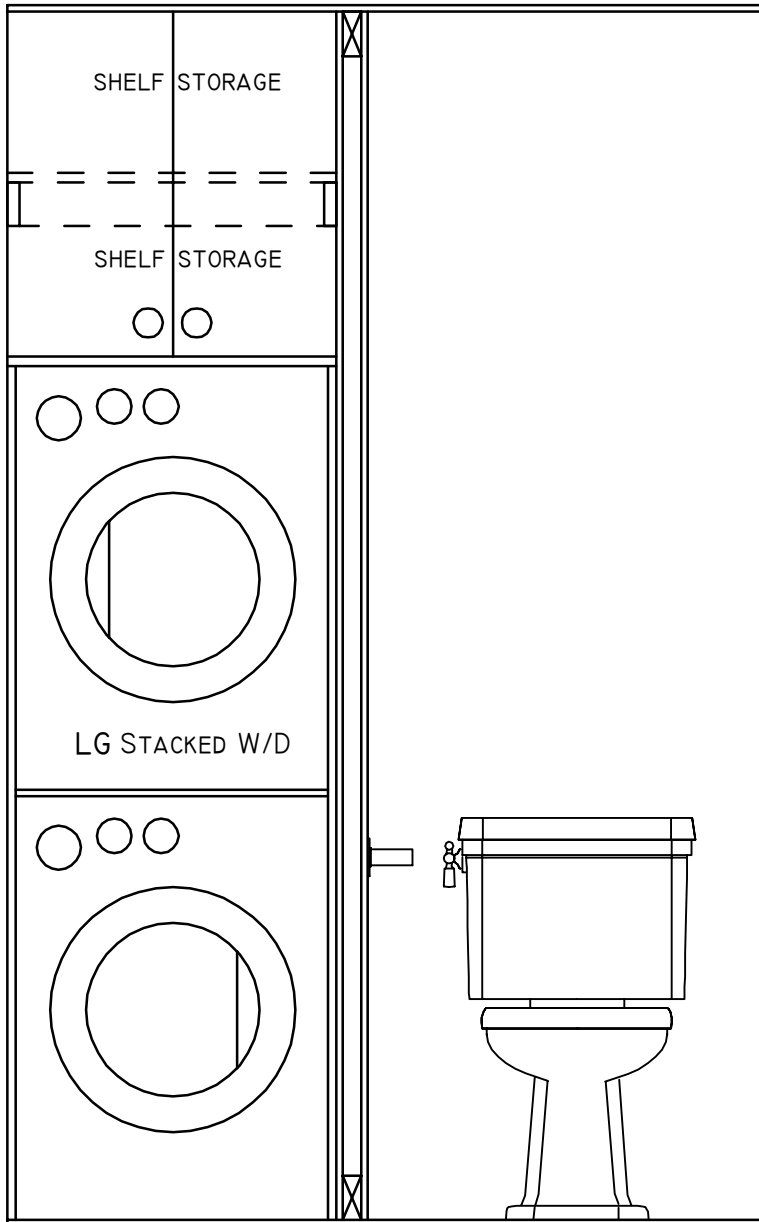


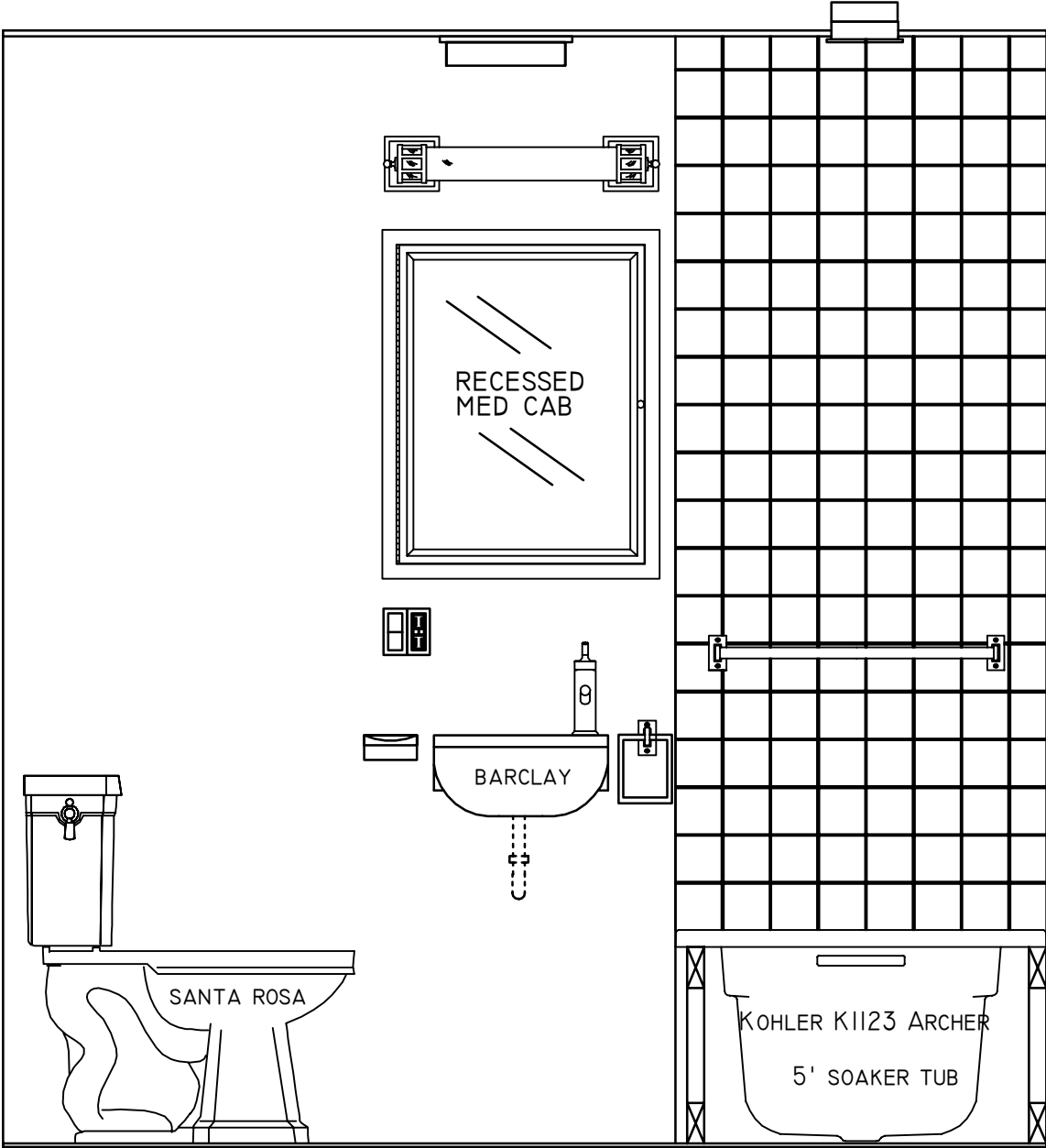
Nov 20, 2011 (c) 2011 AB&C, INC.
 ALL RIGHTS RESERVED.
 917 843 3008 INFO@AARONBOLLMANANDCOMPANY.COM

424 WEST 49TH, 6A

BATHROOM PLAN







Nov 20, 2011 (c) 2011 AB&C, INC.
ALL RIGHTS RESERVED.
917 843 3008 INFO@AARONBOLLMANANDCOMPANY.COM

424 WEST 49TH, 6A

